

## Housing - HC-STA-D07-BWSCM-EL-AL - 1419250


Please be informed that the data shown in this PDF Document is generated from our Online Catalog. Please find the complete data in the user's documentation. Our General Terms of Use for Downloads are valid (<http://phoenixcontact.com/download>)



Panel mounting base D7, with single locking latch, material: Die-cast aluminum, salt water resistant, protective cover material: PA, height: 25.5 mm, cable gland: none, support sleeve: no, protective cover: yes, Standard, for pin inserts



### Key Commercial Data

Packing unit	1 pc
GTIN	 4 055626 159812
GTIN	4055626159812
Weight per Piece (excluding packing)	20.000 g
Custom tariff number	85389099
Country of origin	China

### Technical data

#### Dimensions

Height	25.5 mm
Width	34.2 mm
Length	24.2 mm
Length of the assembly cutout	21 mm
Width of the assembly cutout	21 mm

#### Ambient conditions

Degree of protection (IP)	IP66 (with locked protective cover)
	IP67 (when plugged in)
Ambient temperature (operation)	-40 °C ... 125 °C

#### General

# Housing - HC-STA-D07-BWSCM-EL-AL - 1419250

## Technical data

### General

Note	for contact inserts HC-A03, A04, D07, D08, Q02, Q03, Q04, Q05, Q07, Q12
Size	D7
Housing type	Panel mounting base
Color	gray aluminum
Locking type	with single locking latch
Screw connection	none
Protective cover	yes
Housing material	Die-cast aluminum, salt water resistant
Housing surface material	uncoated
Seal material	NBR, conductive
Material lock	PA
Material, protective cover	PA
Flammability rating according to UL 94	V0 (Interlock)
	V0 (Protective cover)
Assembly instructions	For mounting pin inserts

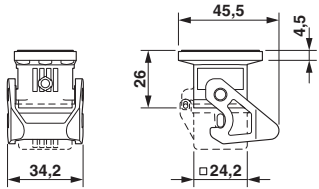
### Environmental Product Compliance

China RoHS	Environmentally Friendly Use Period = 50 years
	For details about hazardous substances go to tab "Downloads", Category "Manufacturer's declaration"

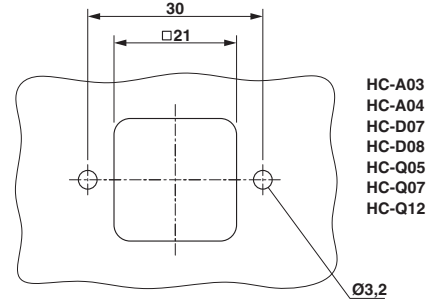
## Drawings

# Housing - HC-STA-D07-BWSCM-EL-AL - 1419250

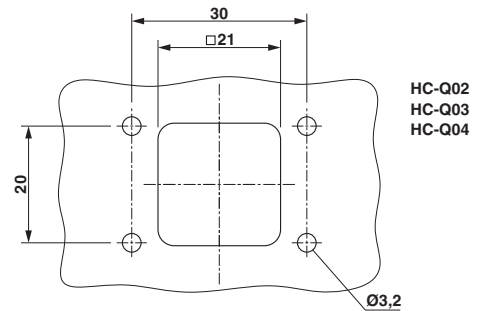
Dimensional drawing



Dimensional drawing



Dimensional drawing



Mounting cutout

## Classifications

### eCl@ss

eCl@ss 10.0.1	27440202
eCl@ss 11.0	27440202
eCl@ss 5.1	27261200
eCl@ss 6.0	27261200
eCl@ss 7.0	27440202
eCl@ss 9.0	27440202

### ETIM

ETIM 6.0	EC000437
ETIM 7.0	EC000437

### UNSPSC

UNSPSC 13.2	31261501
UNSPSC 18.0	31261501
UNSPSC 19.0	31261501
UNSPSC 20.0	31261501

# Housing - HC-STA-D07-BWSCM-EL-AL - 1419250

## Classifications

### UNSPSC

UNSPSC 21.0	31261501
-------------	----------

## Approvals

### Approvals

#### Approvals

EAC / DNV GL / EAC

#### Ex Approvals

## Approval details

EAC		RU C-DE.AI30.B.01102
-----	--	----------------------

DNV GL		<a href="https://approvalfinder.dnvgl.com/">https://approvalfinder.dnvgl.com/</a>	TAE000037S
--------	--	---	------------

EAC		RU C-DE.BL08.B.00511
-----	--	----------------------

## Accessories

### Accessories

#### Housing latches

Housing brackets - HC-D07-SL-PLBK - 1424440



Replacement latch for HC-D7 housing

## Labeled device marker

## Housing - HC-STA-D07-BWSCM-EL-AL - 1419250

### Accessories

Plastic label - US-EMLP (20X9) CUS - 0830085



Plastic label, can be ordered: by card, white, labeled according to customer specifications, mounting type: adhesive, lettering field size: 20 x 9 mm, Number of individual labels: 75

---

### Seal

Seal - HC-D07-SG-RBK - 1424441



Replacement seal for HC-D7 housing